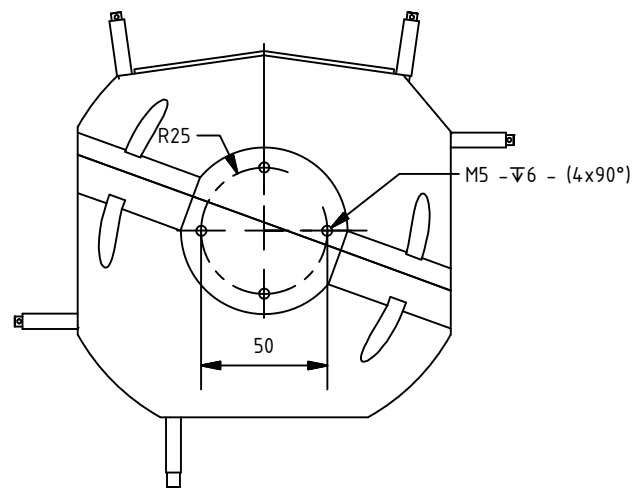
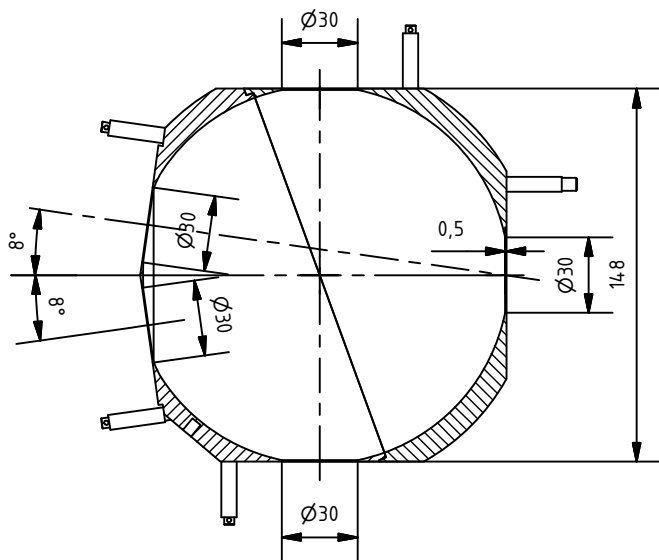
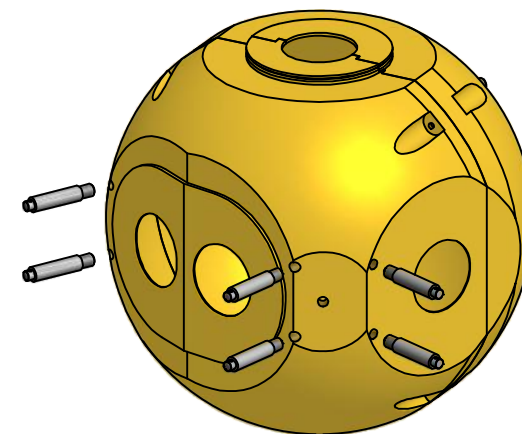


A-A (1 : 3)



B (1 : 3)



UPG-150-ART	102265
Copyright ©	Gigahertz-Optik GmbH